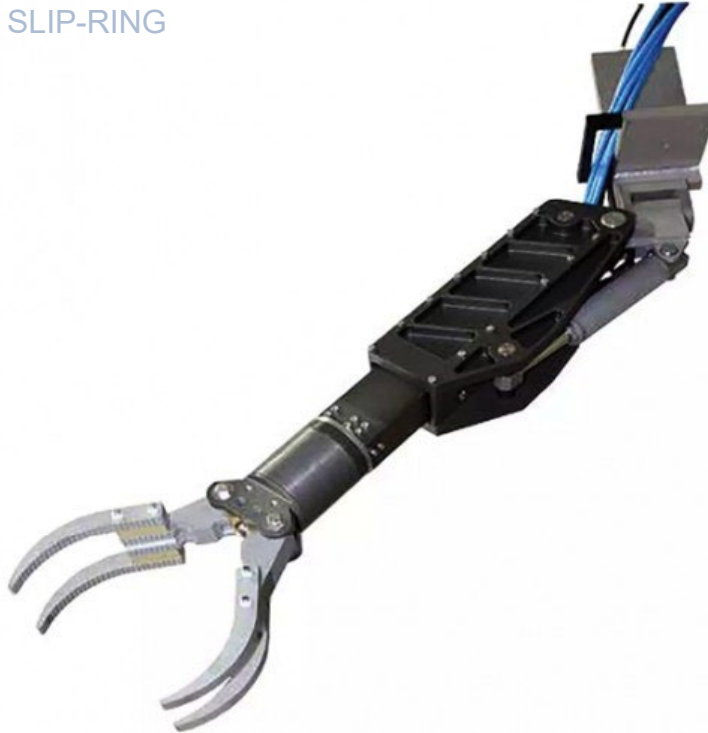


RIGMASTER MANIPULATOR 5F

ENVIRONMENTALLY FRIENDLY
NO HYDRAULIC SLIP-RING



Description

The Rigmaster series of manipulators is suited to work with the highest performing vehicles under the most demanding conditions. The Rigmaster manipulator is known as a heavy lift grabber arm that can be mounted on a wide range of subsea ROVs. The Rigmaster arm is a reliable manipulator which is a perfect alternative where you need strength. It also has a low operation cost.

Typical Operations

- ▣ ROV
- ▣ Subsea grip and handling
- ▣ Rough operations

Features

- ▣ Tough and Durable
- ▣ Environmentally Friendly
- ▣ Compact Design
- ▣ Service & User Friendly
- ▣ Low operational Cost
- ▣ Left-Hand & Right-Hand operational

SPECIFICATIONS

Rigmaster Manipulator 5F

Arm Specification

Type	Rigmaster Manipulator 5F
Part number	ARM-RIG
Materials	Anodized aluminium, stainless steel, titanium

Weight	In Air: 64Kg / In Water: 48Kg
Standard Dept	6,500 msw
Reach	1,372mm
Lift at Full Extension	181 Kg
Maximum Lift, Nominal	270 Kg
Standard Gripper Opening	289mm
Grip Force, Nominal	205 Nm
Wrist Rotate, Continuous	6-35rpm

Actuator Function

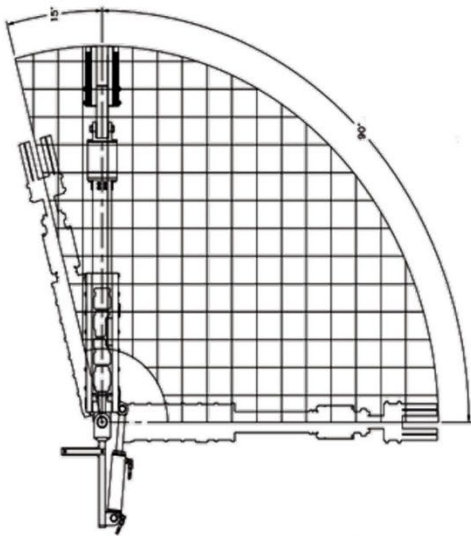
Base Yaw	Linear, 105°
Shoulder Pitch	Linear, 105°
Boom, extend / retract	Linear, 305mm
Wrist Pitch	Linear, 120°
Wrist Rotate	Gerotor, 360°
Gripper, standard	Linear, 284mm

Hydraulic Specifications

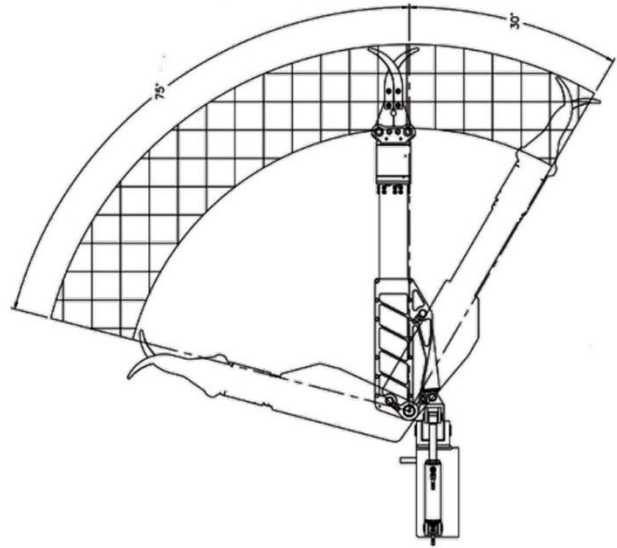
Fluid	Mineral, Glycol, or Synthetic
Viscosity	10-200 cSt
Available flow	5.7 – 19 lpm
Max Pressure	207 Bar / 3000 PSI
Max. Fluid Temperature	54°C
Fluid Cleanliness	ISO 4406 14/11
Filtration	10 microns

Hydraulic Connections

JIC 04 Female



Range of motion, top view



Range of motion, side view