

# SUBSEA CENTERPOLE TOOLING BASKET

7T PAYLOAD  
OPTIONAL LIFTING SYSTEM  
HATCHES WITH ROV LOCK



## Description

**Subsea Tooling Basket for multipurpose use. Center pole or lifting from 4 point lifting sling. Certified according to DNV 2.7.3.**

The Subsea Basket can easily be configured between a single center pole lift or 4-point lifting sling. ROV friendly hatch with ROV lock mechanism as standard, can be removed if needed as an open basket setup.

## Typical Operations

- Tooling Operations
- Lifting Operations

## Features

- Weight in air 1226 kg
- Weight in water 951 kg
- Payload 7000 kg / 7 T
- Inside diameter 1950 x 1950 x 990 mm
- Outside diameter 2150 x 2150 x 1290 (2384) mm

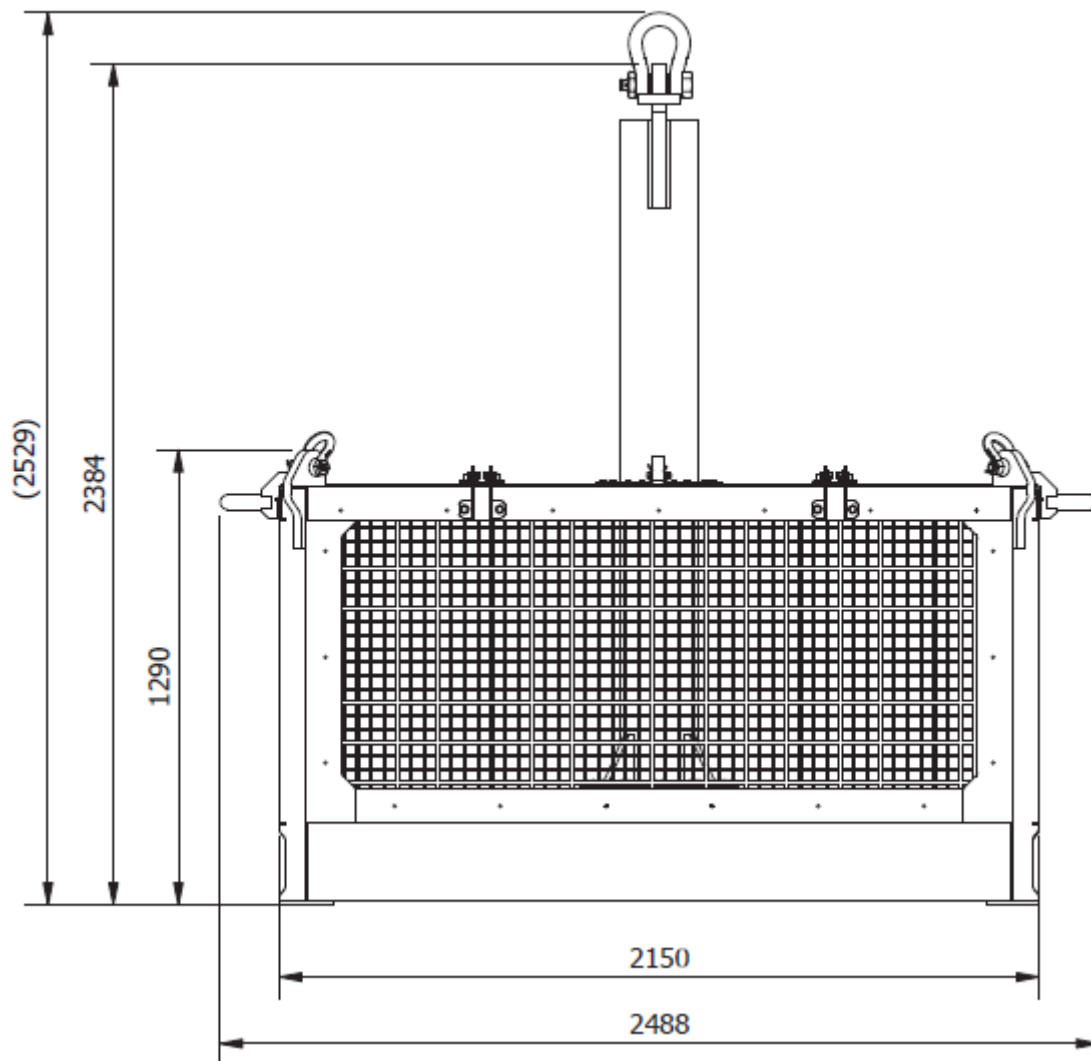
■ The specification details are illustrative for marketing purpose only. Actual equipment may be different as a result of product improvement or other reasons. Specific interface and performance information should be reconfirmed at time of order placement. Envirent AS, Robotvegen 16, 4340 Bryne, +47 477 77 500, sales@envirent.no

# SPECIFICATIONS

## SUBSEA CENTERPOLE TOOLING BASKET

### General Technical Specifications

Type	CenterPole Basket 7 T
Part Number	SUB-BASKET
Dimensions L x W x H	2150 mm x 2150 mm x 1290 (2384) mm
Weight in air / submerged	1226 kg / 951 kg
Payload	7000 kg / 7 T
MGW	8226 kg



■ The specification details are illustrative for marketing purpose only. Actual equipment may be different as a result of product improvement or other reasons. Specific interface and performance information should be reconfirmed at time of order placement. Envirent AS, Robotvegen 16, 4340 Bryne, +47 477 77 500, sales@envirent.no

# SPECIFICATIONS

## SUBSEA CENTERPOLE TOOLING BASKET

### Inventory List:

Items listed in Inventory List are delivered with the equipment as standard. Any additional equipment must be specified upon order.

Item	Description	Total Qty
1.	Lifting Certificate	1
2.		
3.		
4.		
5.		
6.		
7.		
8.		
9.		
10.		

■ The specification details are illustrative for marketing purpose only. Actual equipment may be different as a result of product improvement or other reasons. Specific interface and performance information should be reconfirmed at time of order placement. Envirent AS, Robotvegen 16, 4340 Bryne, +47 477 77 500, sales@envirent.no