

ICSYS LED LIGHT

ROV INSPECTION
LED LIGHT
3150 LUMEN



Description

The iCsys Subsea Light is a standalone product for our subsea equipment range.

The iCsys Subsea Light consist of an acrylic dome for spreading the light and an aluminum base for heat transportation.

The Subsea Light has an impressive illumination of 3150lumens at 24Vdc @ 1.1A. It fits to a variety of subsea applications, from small ROV's to large well intervention packages.

Features

- High Power LEDs
- Auto temperature control
- Compact and low weight
- Color temperature 4100K
- 3150 Lumen @ 24VDC (1.1A)
- 80° width angle for Beam of Light
- Dimmable

SPECIFICATIONS

ICSYS LED LIGHT

General Technical Specifications

Type	iCsys LED Light
Part Number	114558
Dimensions	mm 94 x 94 x 72
Weight (in air / submerged)	kg ~1

Electrical

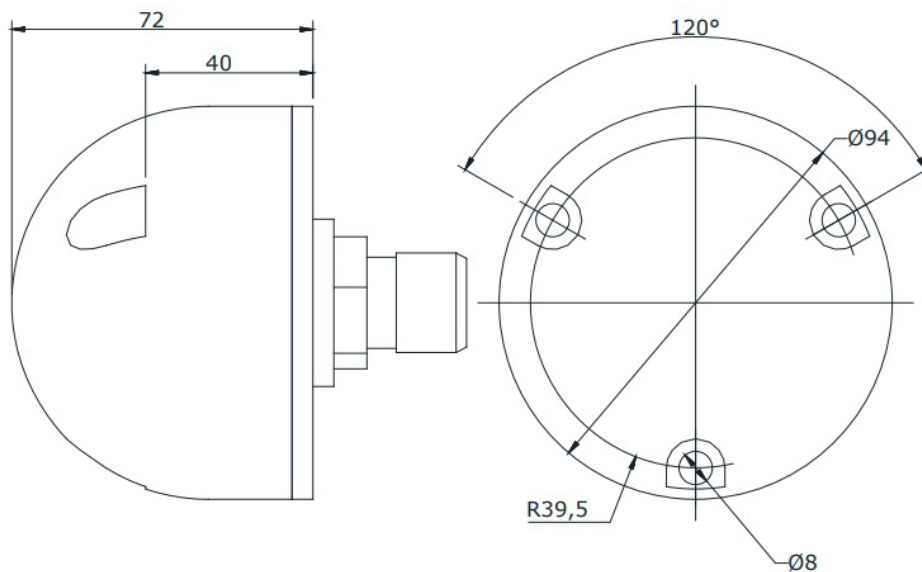
Supply Voltage	VDC 22-30VDC
Power Consumption	W ~30

Communication

Voltage dimming 0-5VDC	Standard
Connector	GlenAir G5507-1508 Pinout

General Features

Depth rating	MSW 3000
--------------	----------



Standard config
GlenAir G5507-1508 Pinout

- 1: 0V
- 2: 24VDC
- 3: 0-5VDC
- 4: NC
- 5: NC
- 6: NC
- 7: NC
- 8: NC