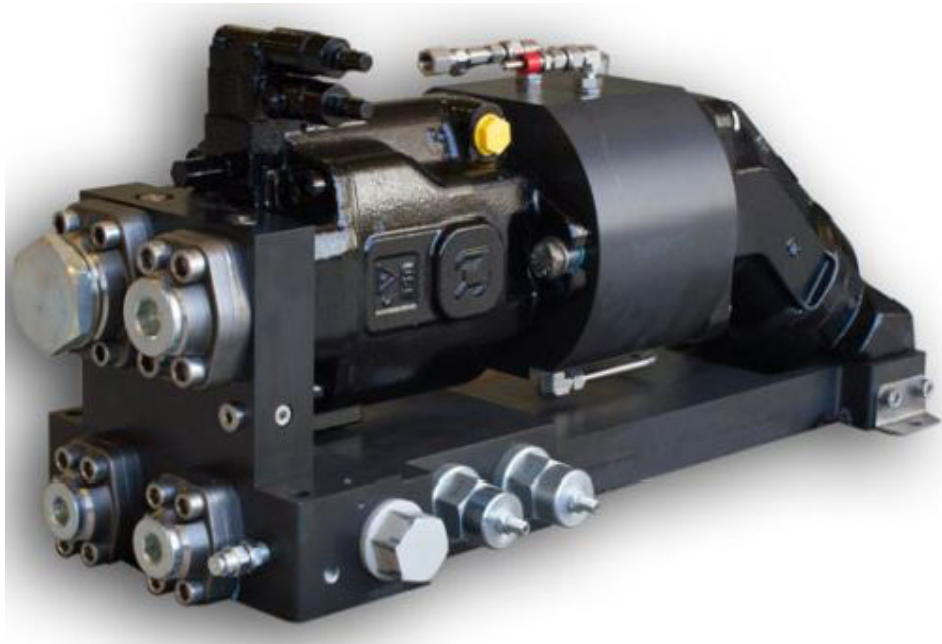


DIRTY WORK PACK

345 BAR PUMP
165 LPM FLOW
POWERPACK



Description

345 Bar - 165 L/min High-Flow DWP is compact, simple to incorporate and service friendly. Contains well proven components integrated and all hydraulic connections is located in one end.

The motor circuit on the DWP has a built in start/stop valve for remote start/stop, and has a flow regulator valve for speed control. The pump circuit has a built in pressure relief valve. The pump can be internally pressure compensated, remote pressure regulated or connected to a load sensing valve system. Soft-start function integrated to ensure fully utilization at all times.

Features

- 345 Bar pump supply max
- 165 L/min pump flow max
- Integrated flow control valve
- Integrated start/stop valve
- Integrated soft-start function
- Rated to 3000 MSW
- Bulkhead connection
- Manifold block design

■ The specification details are illustrative for marketing purposes only. Actual equipment may be different as a result of product improvement or other reasons. Specific interface and performance information should be reconfirmed at time of order placement.

Envirent AS, Hattelandsveien 92, 4353 Klepp Stasjon, +47 477 77 500 post@envirent.no

SPECIFICATIONS

ISOLATED HYDRAULIC POWER UNIT

General Technical Specifications

Type	Isolated Hydraulic Power Unit
Part Number	114201
Dimensions	mm 752 x 307 x 357
Weight (in air / submerged)	kg ~113 / ~90

Hydraulic

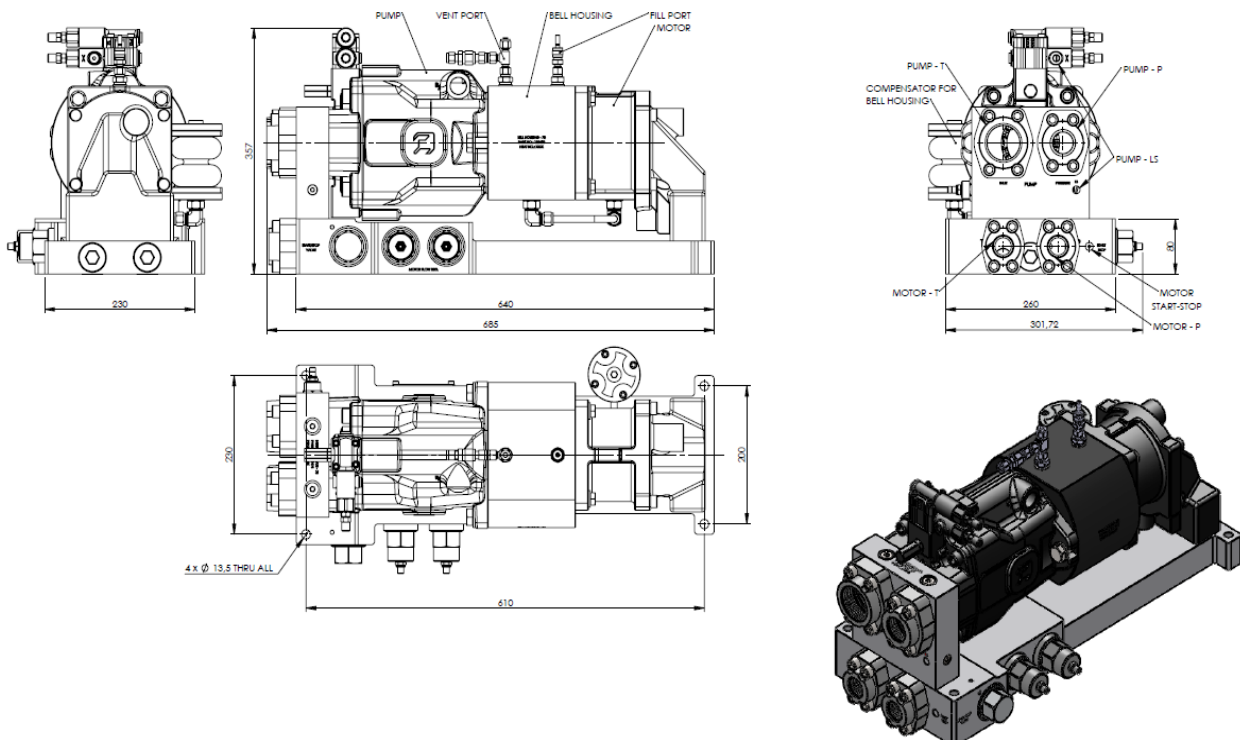
Max. Input Pressure	Bar 207
Max. Output Pressure	Bar 345
Max. Input Flow	L/min 262
Max. Output Flow	L/min 165

Fluid Compatibility** Output Mineral oil

Connection ROV pressure	BSP 1" (alt. SAE 6000)
Connection ROV return	BSP 1" (alt. SAE 6000)
Connection ROV drain	M18 x 1.5 F 12 DEEP
Connection ROV start/stop	BSP 1/4"
Connection DWP supply	BSP 1-1/4" (alt. SAE 6000)
Connection DWP Case Drain	BSP 3/4"
Connection DWP Suction	BSP 2" (alt. SAE 3000)
Connection DWP Ext. Regulator	BSP 1/4"

General Features

Depth rating MSW 3000



■ The specification details are illustrative for marketing purposes only. Actual equipment may be different as a result of product improvement or other reasons. Specific interface and performance information should be reconfirmed at time of order placement.