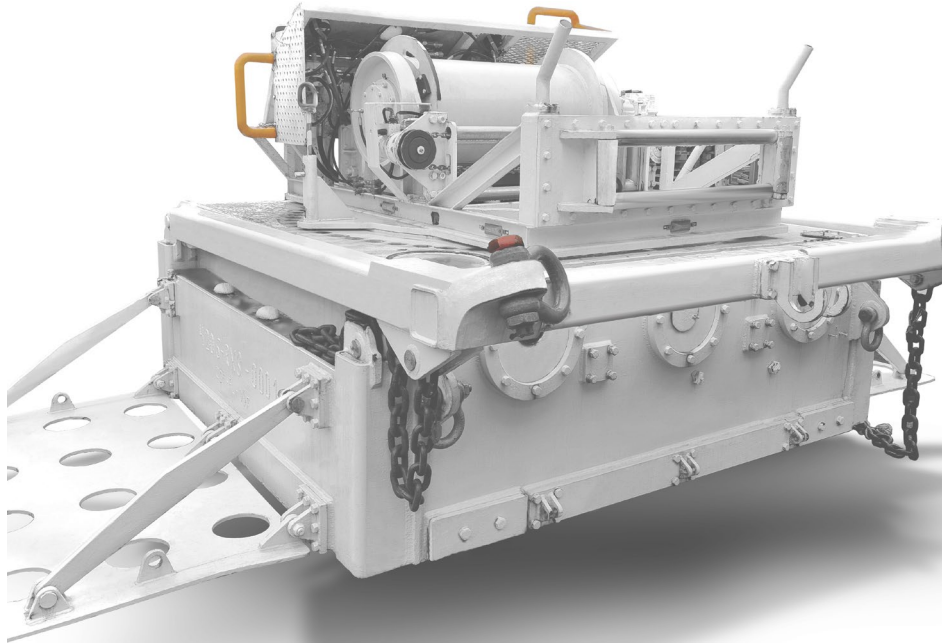


# SUBSEA WINCH 15T 360° SWIVEL

SUCTION ANCHOR  
360° SWIVEL PLATE  
ROV OPERATED



## Description

**The 15 Ton high-quality subsea winch and associated equipment are designed for use during installation and retrieval of riser and flowlines, and other relevant subsea operations requiring pull- and realignment support.**

The modular 15 Ton subsea winch is designed to be used in multipurpose configurations. Switchable between suction anchor system (suction pump integrated) and mud-mat setup. The winch frame weight act as a clump weigh for the equipment to keep it in position in mud-mat setup. A Hot stab 3-port connection for hydraulic supply from ROV HPU.

## Features

- Horizontal pulling force 15 Ton
- Maximum speed 9 meter/min
- Maximum water depth 500 meter
- Hotstab Ø43 3-port system for ROV Connection
- Frame act as clump weight
- Front and side mud mats
- Available with suction anchor
- 360° subsea swivel plate

# SPECIFICATIONS

## 15 TON SUBSEA WINCH

### General Technical Specifications

Type	15 Ton Subsea Winch
Part Number	
Dimensions	4575 x 3320 x 2230 mm
Weight (in air / submerged)	~24 700 / ~18 500 kg

### Hydraulic

Max. Input Pressure	207 Bar
Pull force at 207 Bar	15 Ton
Max. Input Flow	30 L/min
Speed at 30 L/min	9 M/min
Connection ROV pressure	4m Hotstab Ø43 3-port (Port1)
Connection ROV return	4m Hotstab Ø43 3-port (Port2)
Connection ROV drain	4m Hotstab Ø43 3-port (Port3)

### General Features

Depth rating	500 MSW
--------------	---------

