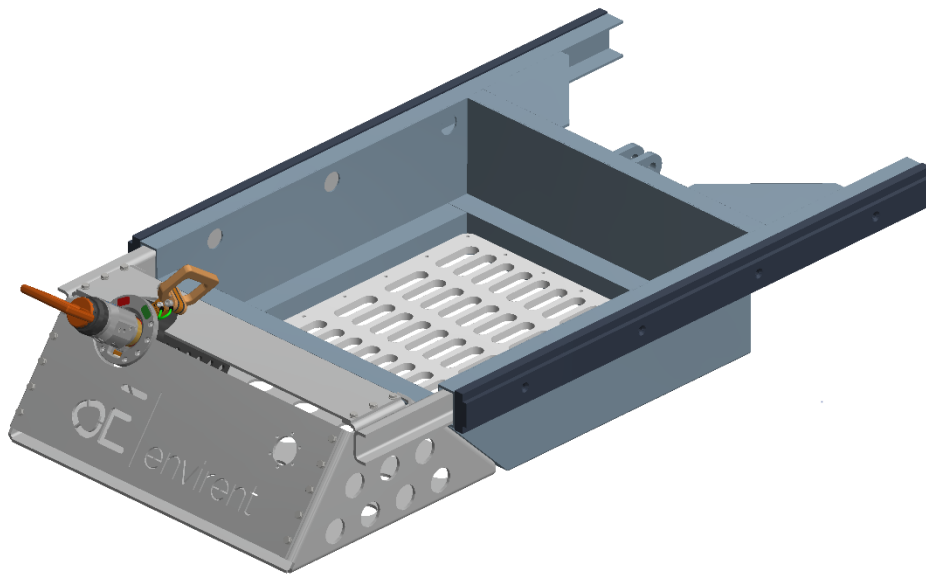


BELLY BASKET KYSTDESIGN INSTALLER

INSTALLER ROV
SKID DRAWER
CONFIGURABLE



Description

The Installer Belly Basket is designed to fit directly into the Kystdesign Installer ROV. The Belly Basket is operated like a drawer, and has a storage room to keep tooling etc. A Fixed Front is mounted to the drawer for further possibilities.

The Fixed Front is made to be fitted with a Ø55 6-port Valve Stab Receptacle and a Ø35 4-port Hot Stab Receptacle. Other options are on the fixed front available upon request.

Typical Operations

- Subsea Tooling
- ROV Operations

Features

- Kystdesign Drawer
- Sliding Function
- Ø55 6-port Valve Stab
- Ø35 4-port Hot Stab

SPECIFICATIONS

BELLY BASKET INSTALLER

General Technical Specifications

Type

Part Number

Dimensions L x W x H

Weight in air

Open Space for Storage L x W x H

Belly Basket

SKID-DR-INST

1584 mm x 860 mm x 254 mm

65 Kg

660 mm x 714 mm x 195 mm

