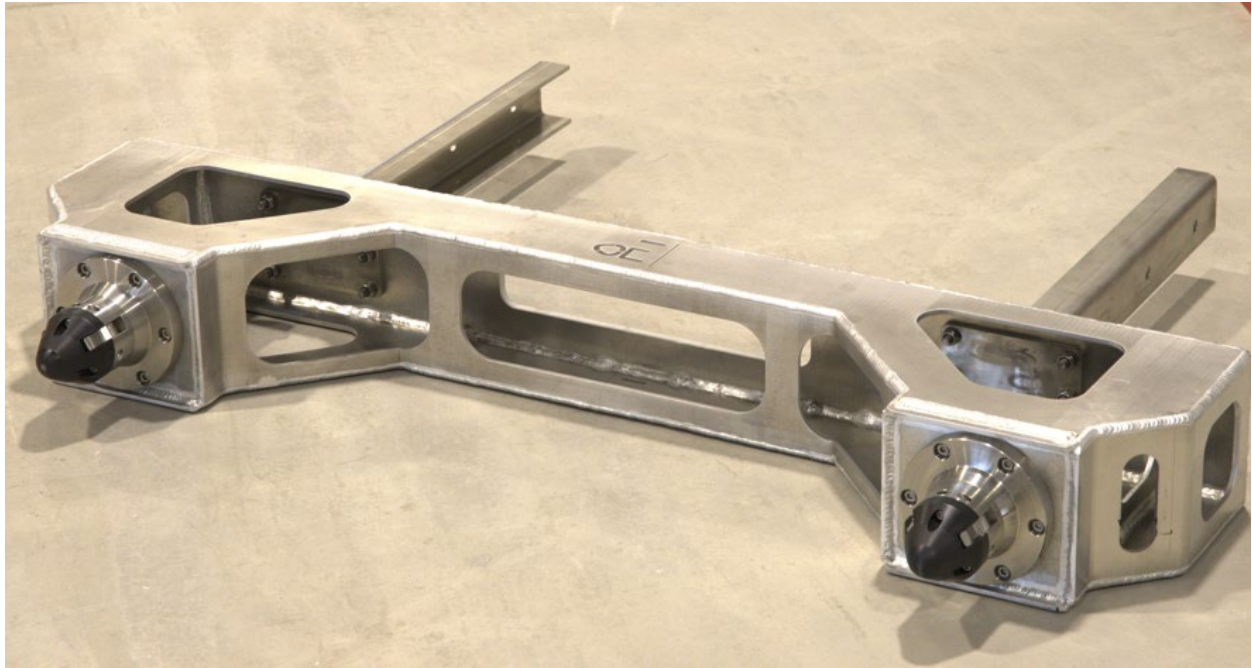


ROV ISO DOCKING BEAM

ROV TOOLING
ISO 13628-8
DOCKING PROBE



Description

The ROV ISO Docking Beam is a robust intervention tool designed for installation on the front of Supporter or Constructor ROV and can be made to fit other work-class ROVs.

The system can be customized to interface with a wide range of ROV models. It is optionally equipped with two ISO 13628-8 compliant docking probes/latches, enabling secure and reliable engagement with subsea assets.

The primary function of the docking beam is to facilitate stable docking of the ROV to various subsea structures, supporting precise intervention and operational efficiency.

Typical Operations

- Docking Operations
- Inspection Operations
- Tooling Operations
- Intervention Operations
- Installation / Retrieval Operations

Features

- ISO 13628-8 Interface
- Dual Docking Probes
- Modular Design
- ROV adaptable
- High-strength construction
- Corrosion resistant
- Precise alignment support

□ The specification details are illustrative for marketing purpose only. Actual equipment may be different as a result of product improvement or other reasons. Specific interface and performance information should be reconfirmed at time of order placement. Envirent AS, Robotvegen 16, 4340 Bryne, +47 477 77 500, sales@envirent.no

SPECIFICATIONS

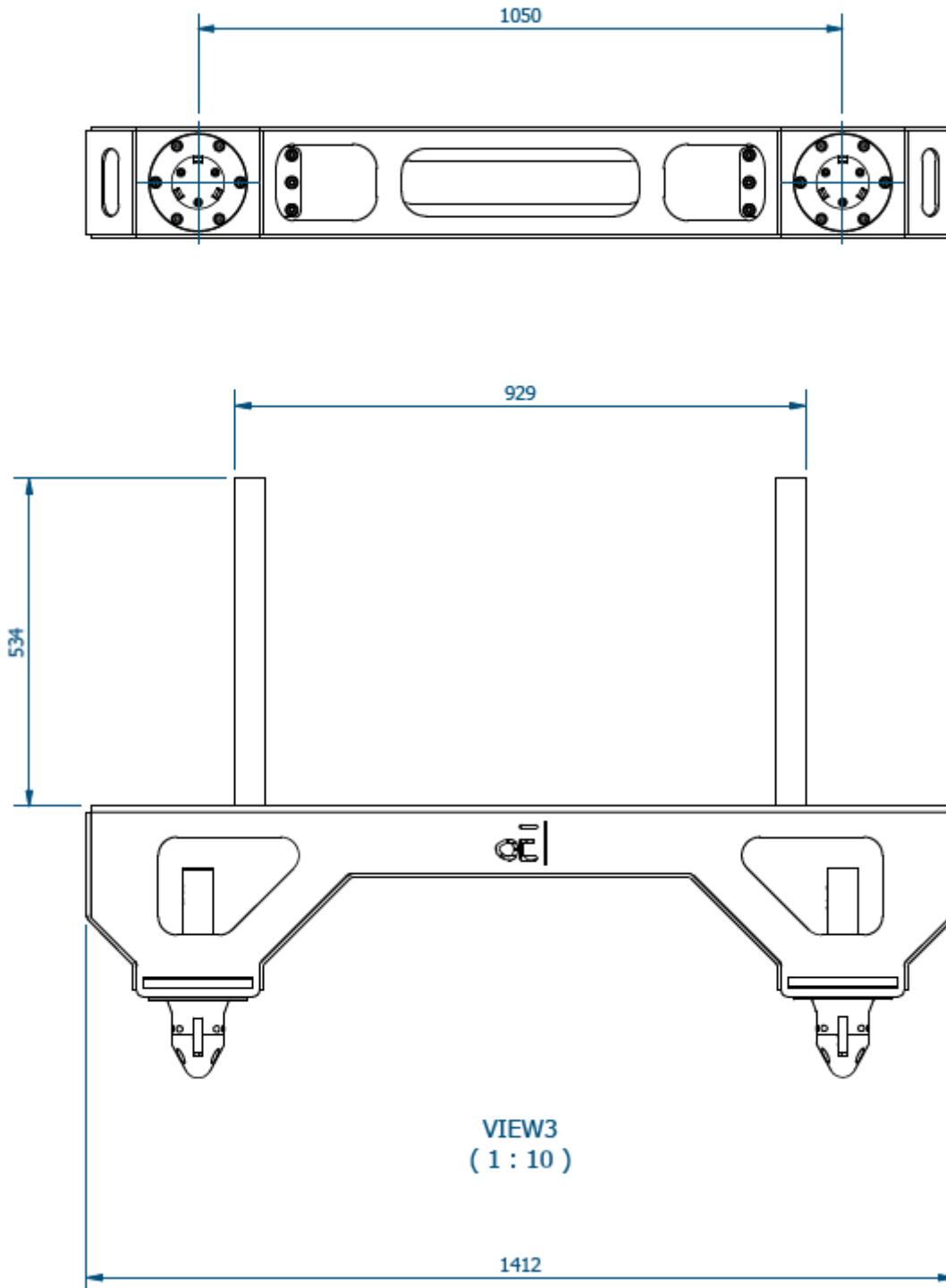
ROV ISO DOCKING BEAM

General Technical Specifications

Type	ROV ISO Docking Beam
Part Number	ISO-DB-
Dimensions L x W x H	439 mm x 1862 mm x 182 mm
Weight in air / submerged	38 kg / 28 kg
Material	Aluminum (Docking Frame)

Hydraulic Interface

Docking Probe Interface x 4	Jic 6
-----------------------------	-------



■ The specification details are illustrative for marketing purpose only. Actual equipment may be different as a result of product improvement or other reasons. Specific interface and performance information should be reconfirmed at time of order placement. Envirent AS, Robotvegen 16, 4340 Bryne, +47 477 77 500, sales@envirent.no

SPECIFICATIONS

ROV ISO DOCKING BEAM

Inventory List:

Items listed in Inventory List are delivered with the equipment as standard. Any additional equipment must be specified upon order.

Item	Description	Total Qty
1.	Hydraulic Hose 3/8", Jic 6 Fm – Fm. 4m. SS	4

■ The specification details are illustrative for marketing purpose only. Actual equipment may be different as a result of product improvement or other reasons. Specific interface and performance information should be reconfirmed at time of order placement. Envirent AS, Robotvegen 16, 4340 Bryne, +47 477 77 500, sales@envirent.no